



中国市场知名品牌

RY 风冷式热油泵

RYSERIES AIR-COOLED HOT OIL PUMP

一、概述

该泵结构合理,性能优良,使用可靠。适用于输送不含固体颗粒的高温液体。其耐腐蚀程度和使用温度取决于与介质接触的主要零件的材料(分三类: I .HT200; II .ZG230-450;III.1Cr18Ni9Ti,OCr18Ni12-Mo2Ti.)

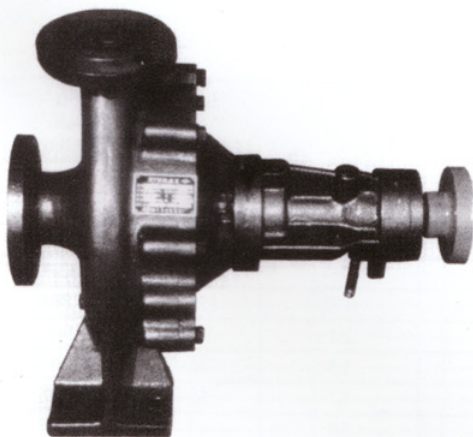
二、适用范围:

- 1、石油及化学工业
- 2、油脂工业
- 3、合成纤维工业
- 4、纺织印染工业
- 5、塑料及橡胶工业
- 6、造纸工业
- 7、木材工业
- 8、建筑业

另外,还在机械工业、食品工业、医药生产、热油炉供油循环系统、热油取暖循环系统中广泛应用。

三、性能范围 (按设计点)

- 1、流量 1 ~ 500m³/h;
- 2、扬程 10 ~ 125m;
- 3、温度 -20℃ ~ 350℃,



I .Brief Introduction

With scientific construction and fine performance, it is used in transporting high temperature liquid without solid particles. And the corrosion-resistant degree and working temperature is depended on the material of the parts.(The material consists of three kinds:1.HT200;2.ZG230-450;3.1Cr18Ni9Ti, OCr18Ni12Mo2Ti.)

II .Type RY Air-cooled Hot Oil Pump Is Widely Used In The Following Fields:

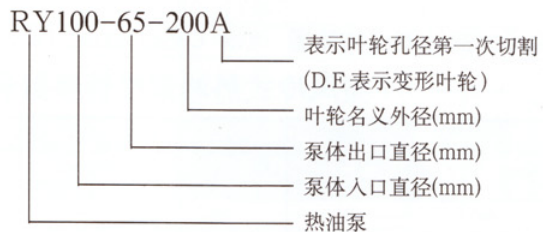
- 1.Petro-chemical Industry
- 2.Oil Industry
- 3.Synthetic-fibre Industry
- 4.Textile Dyeing And Printing Industry
- 5.Plastic And Rubber Industry
- 6.Papermaking Industry
- 7.Timber Processing Industry
- 8.Construction And Building Industry

Besides the above fields,the pumps are also proper in machinery manufacturing, food processing,Medicine making and the circling system for oil supplying of the hot oil boiler,the circling system of the heating installation.

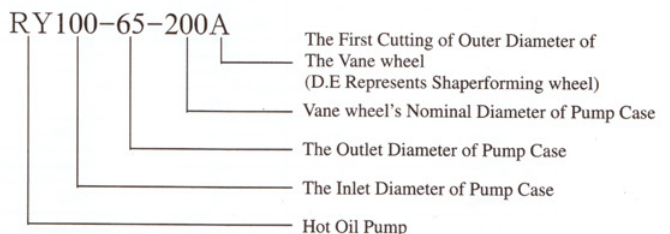
III.Performance Scope of RY Hot Oil Pump

- 1.Flow:1 ~ 500m³/h
- 2.Delivery lift 10-125m
- 3.Temperature:-20℃ ~ 350℃

型号意义: 以 RY100-65-200A 为例



The Sense of The Type RY Hot Oil Pump: Set RY 100-65-200A As The Example:





四、结构简介

RY型热油泵为单级悬臂式结构分为脚支撑和中心支撑,泵的进口为轴向吸入,出口为中心垂直向上。泵和驱动电机通过弹性联轴器合装于同一底座上。整个机组无需加冷动系统。

主要由壳体、转子、轴承、密封等部分组成,采用填料密封结构(详见图二),附加耐温油封,起辅助密封的作用。泵与电动机采用三爪型弹性联轴器联接。

该泵从设计上改变了传统的热油泵结构,采用自然散热的冷却方式,减少了泵的体积,使结构简单,节约运行费用,安全可靠。

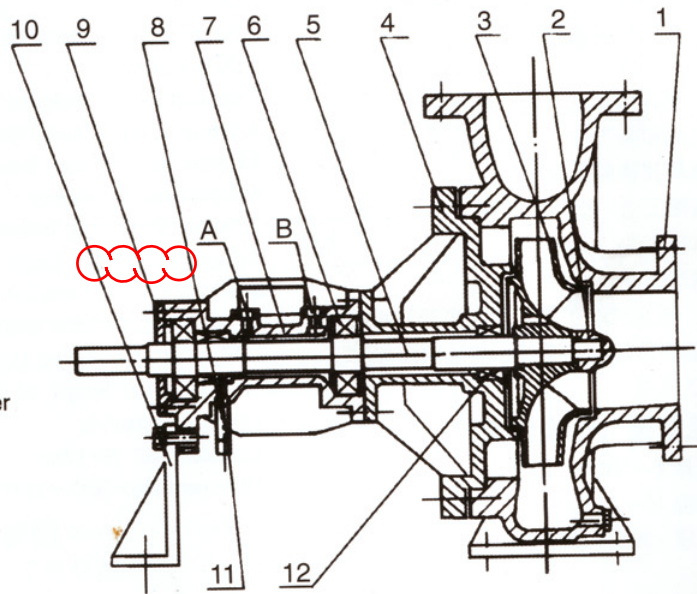
IV. Construction

With the single grade swing construction.RY hot oil pump consists of two kinds:foot supporting and core-supporting.The entrance of the pump is axial absorbing, and core stright up for outlet.The pump and the driving motor are installed togetherly at the same seat through elastic coupling.And the whole machine group doesn' t require cooling system.

The main parts include:Body case,Rotor,Bearing,Seal Parts.The pumps connects motor with tri-pawl elastic coupling.

On the whole,this pump reforms the traditional construction, choosing natural cooling type,reducing the volume,simplifying the constructure and save carrving.

- 1.泵体 Pump Case
- 2.叶轮螺母 Wheel Nut
- 3.叶轮 Vane Wheel
- 4.泵盖 Pump Cover
- 5.泵轴 Pump Axle
- 6.轴承 Bearing
- 7.轴承体 Bearing Case
- 8.导油管 Oil-conducting Pipe
- 9.轴承压盖 Bearing's Pressing Cover
- 10.支架 Support
- 11.油封 Oil Seal
- 12.填料 Packing Seal



RY 型风冷式热油泵结构简图 The Constructure Diagram of Type RY Air-cooled Hot Oil Pump

RY 型风冷式热油泵性能参数表 FUNCTIONAL DATA

泵型号 Model	流量 Capacity m ³ /h	扬程 Lift m	转速 Speed n r/min	功率 kW Power		效率 η % Efficiency	电机(Y型) 机座号 Motor
				轴功率 Axle-Power	配用功率 Power		
15-15-100	3	10	2800	0.45	0.75	20	801
15-15-100A	2	10	2800	0.36	0.55	18	AO ₂ -7122
15-15-100B	1	10	2800	0.2	0.37	15	AO ₂ -7112
20-20-100	1	10	2800	0.09	0.37	26	AO ₂ -7112
20-20-125	1.5	22	2800	0.22	0.75	30	801
40-25-160	10	28	2900	1.72	2.2	45	90L
25-25-160	3	27	2900	0.53	1.5	30	90S
32-32-160	6	28	2900	0.85	1.5	50	90S
50-32-160	12.5	30	2900	1.90	3.0	57	100L
50-32-200	18	40	2900	3.92	5.5	50	132S1
50-32-200A	16	32	2900	3.35	4	42	112M
50-32-250	12.5	80	2900	6.2	11	44	160M1

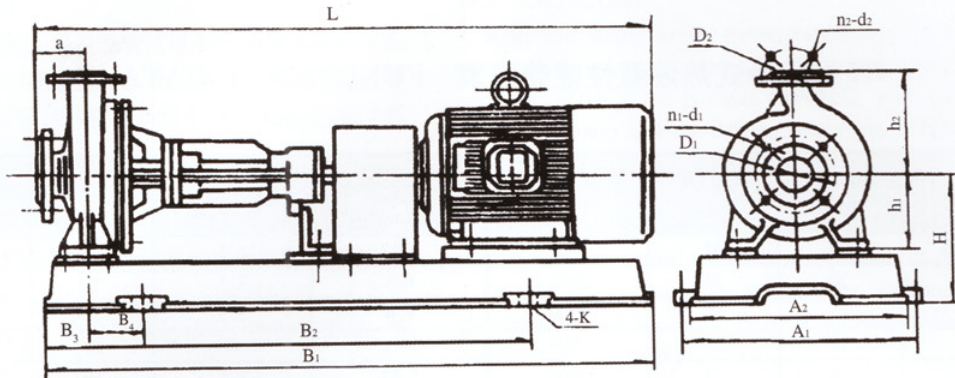


RY 型风冷式热油泵性能参数表 FUNCTIONAL DATA

泵型号 Model	流量 Flow m ³ /h	扬程 Litf m	转速 Speed n r/min	功率 kW Power		效率 η % Efficiency	电机(Y型) 机座号 Motor
				轴功率 Axle-Power	配用功率 Power		
65-50-160	20	32	2900	3.17	5.5	55	132S1
✓ 65-40-200	30	48	2900	6.3	7.5	62	132S2
65-40-200A	25	35	2900	4.0	5.5	59	132S1
65-40-250	25	80	2900	10.3	15	53	160M2
65-40-250A	20	51	2900	5.67	7.5	49	132S2
65-40-315	25	125	2900	18.9	30	45	200L1
65-40-315A	22.5	100	2900	15.3	22	40	180M
√ 80-50-200	50	50	2900	9.7	15	70	160M2
80-50-200A	45	40	2900	7.8	11	63	160M1
80-50-200B	40	32	2900	6.37	7.5	55	132S2
80-50-250	50	80	2900	17.1	22	58	180M
80-50-250A	43	60	2900	12.8	15	55	160M2
80-50-315	50	125	2900	30.4	45	56	225M
80-50-315A	45	100	2900	23.6	30	52	200L1
100-65-200	100	50	2900	18.4	22	74	180M
100-65-200A	94	44	2900	16	22	70	180M
100-65-200B	87	38	2900	13.8	15	65	160M2
100-65-200C	80	32	2900	11.8	15	59	160M2
100-65-250	100	80	2900	32.06	37	68	200L2
100-65-250A	95	72	2900	29	37	64	200L2
100-65-250B	90	65	2900	26.2	30	61	200L1
100-65-250C	85	50	2900	20.3	30	57	200L1
100-65-315	100	125	2900	50.06	75	68	280S
100-65-315A	95	113	2900	45.23	55	64.63	250M
100-65-315B	90	100	2900	40.5	55	60.50	250M
100-65-315C	82	84	2900	34.76	45	54	225M
125-100-200	200	50	2900	35.4	45	77	225M
125-100-200A	178	40	2900	26.6	37	73	200L2
125-100-250	200	70	2900	47	55	80	250M
125-100-250A	190	63	2900	41.6	55	78	250M
125-100-250B	180	57	2900	37.9	45	74	225M
125-100-250C	170	51	2900	32.15	45	72	225M
125-100-250D	150	70	2900	40	45	70	225M
150-150-200	350	50	2900	60	75	80	280S
150-150-200A	313	40	2900	45	55	76	250M
200-150-400	350	50	1450	61.8	75	78	280S
200-150-400A	330	45	1450	52.8	75	77	280S
250-200-400	500	50	1480	86.2	110	79	315S
250-200-500	500	80	1480	136	160	76.5	315M
250-200-500A	400	50	1480	75	90	73	280M



中国市场知名品牌



机组安装尺寸图 Diagram of Machine Groups Dimensions

RY 型风冷式热油泵安装尺寸 INSTALLATION DIMENSIONS

泵型号 Model	A ₁	A ₂	B ₁	B ₂	B ₃	B ₄	a	H	h ₁	h ₂	D ₁	D ₂	n ₁ -d ₁	n ₂ -d ₂	K	L
20-20-100	220	195	535	300	117	86	52	120	80	100	65	65	4-ø12	4-ø12	ø16	537
20-20-125						75	60	125	85	115						607.5
25-25-160	300	280	680	410	120	70	75	170	110	150	85	85	4-ø14	4-ø14	ø20	623
32-32-160								100	100	4-ø16	4-ø16	647				
40-25-160								125	100	4-ø18	4-ø14	670				
50-32-160	400	370	970	600	165	90	85	227	132	160	125	100	4-ø18	4-ø18	ø25	895
50-32-200							80	255	160	180						965
60-40-200							100	110	145	125	985					
65-50-160							80	227	132	160	965					
50-32-250	440	410	1150	740	205	115	100	270	180	225	125	100	4-ø18	4-ø18	ø25	1070
80-50-200						110	250	160	200	160	125	1100				
65-40-250	490	460	1280	840	220	130	100	285	180	225	145	110	4-ø18	4-ø18	ø28	1300
80-50-250							125				160	125	8-ø18	4-ø18		1325
100-65-200							100				180	145	1300			
65-40-315	550	510	1430	940	245	140	125	305	200	250	145	110	4-ø18	4-ø18	ø28	1432
100-65-250							180	145	8-ø18	1450						
125-100-200	670	630	1630	1060	285	180	125	335	200	280	210	180	8-ø18	ø28	1630	
125-100-250							140	360	1673							
80-50-315			125	390	225	160	125	8-ø18	4-ø18	1700						
100-65-315			180			145	1700									
150-150-200			150	1830	1200	315	200	150	315	240	240	8-ø23	1732			
200-150-400			160					480	315	450	295	240	8-ø23		8-ø23	1850
250-200-400	860	1010	2150	1200	525	350	200	630	400	470	385	320	12-ø33	12-ø30	ø35	2321
250-200-500							680	450	540	2572						